



**Modular Cooking Range Line
thermaline 90 - 1000 mm Cupboard
base with 2 doors, GN conform, 1 Side
(H2) - H=550**

ITEM # _____

MODEL # _____

NAME # _____

SIS # _____

AIA # _____



589321 (MC1FDAJ000)

Cupboard Base, with 2
doors, one-side operated,
GN - H2

Short Form Specification

Item No. _____

1000 mm wide cupboard base with 2 doors with hygienic design and round edges. Internal frame for heavy duty sturdiness in stainless steel. Flat surface construction, easily cleanable. Cupboard storage space accepts GN 1/1 containers.

IPX5 water resistant certification.

Configuration: One-side operated freestanding base, hygienic class H2.

Main Features

- All major components may be easily accessed from the front.
- THERMODUL connection system creates a seamless work top when units are connected to each other thus avoiding soil penetrating vital components and facilitating the removal of units in case of replacement or service.
- Unit constructed according to DIN 18860_2 with 70 mm recessed plinth.
- Cupboard compartment for storage of pots, pans, sheet pans etc.

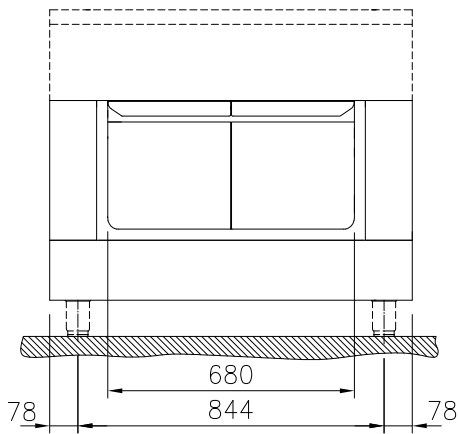
Construction

- IPX5 water resistance certification.
- Hygienic design of the base cupboard with large round edges.
- 2 mm top in 1.4301 (AISI 304).
- Flat surface construction with minimal hidden areas to easily clean all surfaces
- Storage space in the base of the appliance accepts GN1/1 containers.
- Internal frame for heavy duty sturdiness in stainless steel.

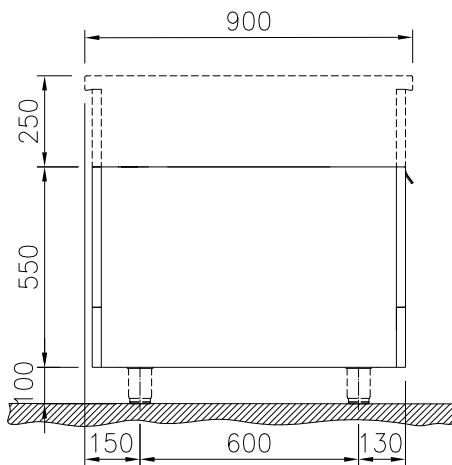
APPROVAL: _____



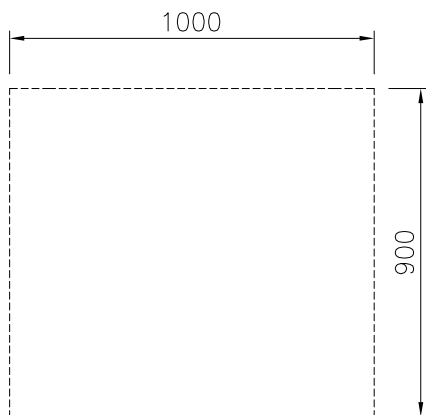
Front



Side



Top


Key Information:

External dimensions, Width:	
589321 (MC1FDAJ000)	1000 mm
External dimensions, Depth:	900 mm
External dimensions, Height:	550 mm
Cupboard Cavity Dimensions (width):	680 mm
Cupboard Cavity Dimensions (height):	330 mm
Cupboard Cavity Dimensions (depth):	715 mm
Net weight:	34 kg

Optional Accessories

- Stainless steel side panel, 900x800mm, freestanding PNC 912511
 - Stainless steel front kicking strip, 1000mm width PNC 912600
 - Stainless steel side kicking strips left and right, freestanding, 900mm width PNC 912621
 - Stainless steel side kicking strips left and right, against the wall, 900mm width PNC 912624
 - Stainless steel side kicking strips left and right, back-to-back, 1810mm width PNC 912627
 - Stainless steel plinth, against wall, 1000mm width PNC 912903
 - Stainless steel plinth, freestanding, 1000mm width PNC 912922
 - Stainless steel panel, 900x800mm, against wall, left side PNC 913102
 - Stainless steel panel, 900x800mm, against wall, right side PNC 913106
 - Back panel, 1000x550mm, for bases one-side operated PNC 913184
 - Stainless steel side panel, left, H=800, flush PNC 913224
 - Stainless steel side panel, left, H=800, flush PNC 913225
 - Perforated shelf for warming cabinets and cupboard bases (one-side operated TL80-85-90 and two-side operated for TL80) PNC 913235
 - Side reinforced panel only in combination with side shelf, for freestanding units PNC 913259
 - Side reinforced panel only in combination with side shelf, for against the wall installations, left PNC 913268
 - Side reinforced panel only in combination with side shelf, for against the wall installations, right PNC 913270
 - Side reinforced panel only in combination with side shelf, for back-to-back installations, left PNC 913277
 - Side reinforced panel only in combination with side shelf, for back-to-back installation, right PNC 913278
 - Shelf fixation for TL80-85-90 one-side operated, TL80 two-side operated PNC 913283
 - Stainless steel dividing panel, 900x800mm, (it should only be used between Electrolux Professional thermaline Modular 90 and thermaline C90) PNC 913673
- Stainless steel side panel, 900x800mm, flush-fitting (it should only be used against the wall, against a niche and in between Electrolux Professional thermaline and ProThermetic appliances and external appliances - provided that these have at least the same dimensions) PNC 913689